

Submersible SUMP Pumps

 Clean Water

 Residential

 Commercial



PERFORMANCE RANGE

- Flow rate up to **79 GPM** (300 l/min) (18 m³/h)
- Head up to **65 feet** (20 m)

APPLICATION LIMITS

- **32 feet** (10 m) Maximum Immersion Depth (with a sufficiently long power cable)
- Maximum Liquid Temperature **122°F** (+50 °C) (Maximum Liquid Temperature **194°F** (+90 °C) for a maximum of 3 minutes intermittent service)
- Passage of Suspended Solids up to **Ø 0.39 in** (10 mm)
- Suction Level:
 - **0.55 in** (14 mm) above ground level for RX 1-2-3
 - **0.98 in** (25 mm) above ground level for RX 4-5
- Continuous Duty Rating **S1**

CONSTRUCTION AND SAFETY STANDARDS

The pumps are complete with:

- **16 feet** (5 m) long power cable for RX 1-2-3
- **32 feet** (10 m) long power cable for RX 4-5
- Float switch for single-phase versions

EN 60335-1
IEC 60335-1
CEI 61-150

EN 60034-1
IEC 60034-1
CEI 2-3



CERTIFICATIONS

Company with management system certified DNV ISO 9001: QUALITY

FEATURES AND BENEFITS

- Clean water that does not contain abrasive particles
- Liquids that are not chemically aggressive
- Easy to Use
- Cooling of motor and shaft with double seal

APPLICATIONS AND MARKETS

- Residential
- Draining Small Areas
- Waste Water Disposal
- Emptying Drainage Traps

PATENTS - TRADE MARKS - MODELS

- Patent No. EP2313658
- Patent No. IT0001428923

OPTIONS AVAILABLE ON REQUEST

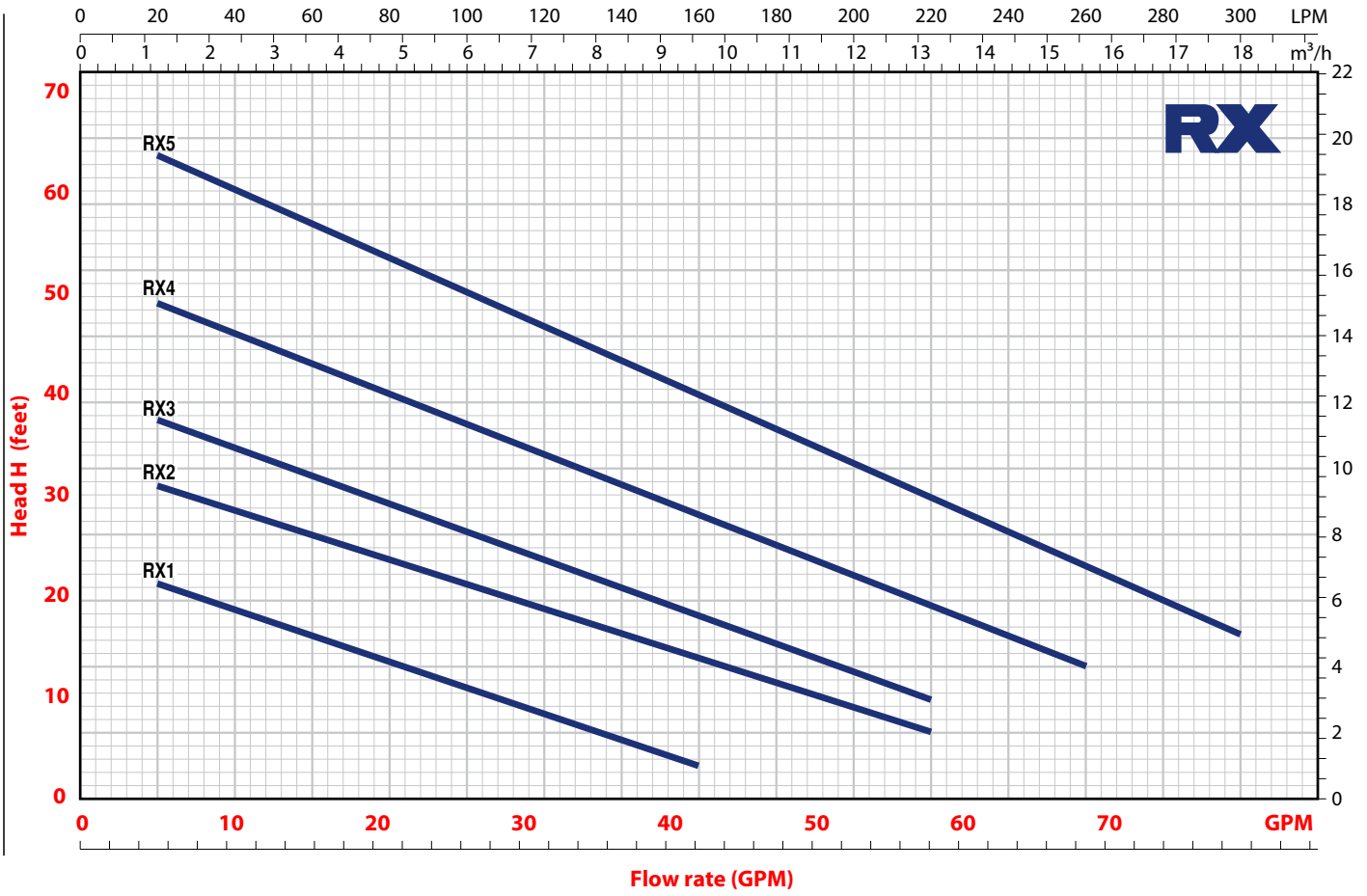
- **"RX-GM"** pumps with a vertical float switch (suitable for particularly small wells)
- Special mechanical seal
- RX 1-2-3 pumps with a **32 feet** (10 m) long power cable.
 - ➔ N.B.: Standard EN 60335-2-41 states that the power cable must be **32 feet** (10 m) long for outdoor applications
- Single-phase pumps without float switch
- Other voltages

GUARANTEE

2 YEARS subject to terms and conditions

PERFORMANCE CURVES AND DATA

60 Hz RPM = 3450



MODEL NUMBER		MOTOR SIZE		LPM	0	20	60	100	140	160	200	220	260	300
Single-phase	Three-phase	kW	HP	GPM	0	5.3	15.8	26.4	36.9	42.3	52.8	58.1	68.7	79.3
RXm 1	RX 1	0.25	0.33	HEAD (feet)	24.6	21.3	16.4	11.5	6.6	3.3				
RXm 2	RX 2	0.37	0.50		32.8	29.5	26.2	21.3	16.4	14.8	6.6	6.6		
RXm 3	RX 3	0.55	0.75		39.4	37.7	31.2	26.2	21.3	18.1	11.5	9.8		
RXm 4	RX 4	0.75	1.00		52.5	49.2	42.6	37.7	31.2	27.9	21.3	18.1	13.1	
RXm 5	RX 5	1.10	1.50		65.6	63.9	57.4	50.8	44.3	41.0	32.8	29.5	22.9	16.4

Tolerance of characteristic curves in compliance with EN ISO 9906 Grade 3B.

NO. COMPONENT CONSTRUCTION CHARACTERISTICS

1	PUMP BODY	Stainless steel AISI 304 with threaded port in compliance with ISO 228/1			
2	SUCTION FILTER	Stainless steel AISI 304			
3	DIFFUSER	Stainless steel AISI 304			
4	IMPELLER	Stainless steel AISI 304			
5	MOTOR CASING	Stainless steel AISI 304			
6	MOTOR CASING PLATE	Stainless steel AISI 304			
7	MOTOR SHAFT	Stainless steel AISI 431			
8	SHAFT WITH DOUBLE SEAL AND OIL CHAMBER				
	<i>Seal</i>	<i>Shaft</i>	<i>Materials</i>		
	<i>Model</i>	<i>Diameter</i>	<i>Stationary ring</i>	<i>Rotational ring</i>	<i>Elastomer</i>
	STA-12R	Ø 0.4 in	Ceramic	Graphite	NBR
9	LIP SEAL	Ø 0.4 x Ø 0.7 x H 0.2 in			

10	BEARINGS	6201 ZZ / 6201 ZZ	
11	CAPACITOR		
	<i>Pump</i>	<i>Capacitance</i>	
	<i>Single-phase</i>	<i>(230 V)</i>	<i>(115 V or 127 V)</i>
	RXm 1	10 µF - 450 VL	16 µF - 250 VL
	RXm 2	10 µF - 450 VL	16 µF - 250 VL
	RXm 3	14 µF - 450 VL	16 µF - 250 VL

12 ELECTRIC MOTOR

RXm: single-phase 230 V - 60 Hz
with thermal overload protector incorporated into the winding

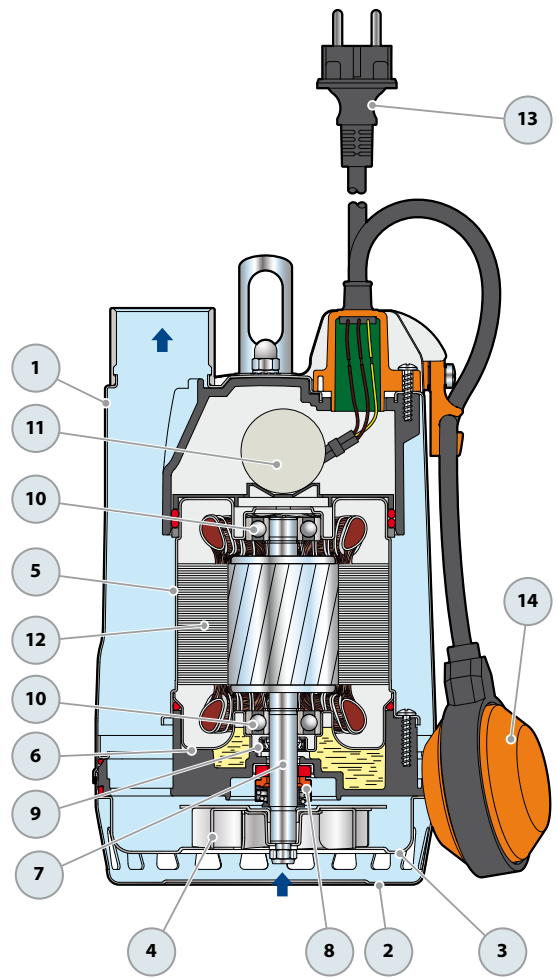
RX: three-phase 115 V - 60 Hz, 230 V - 60 Hz, 380 V - 60 Hz
or 460 V - 60 Hz

- Insulation: class F
- Protection: IP X8

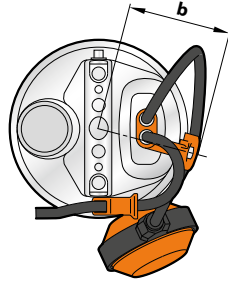
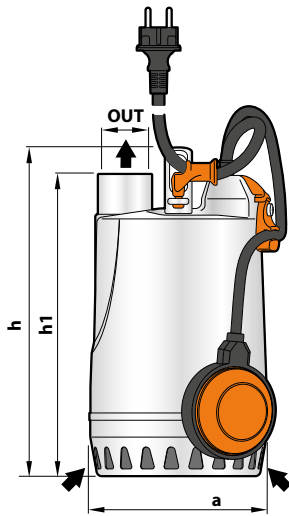
13 POWER CABLE

"H07 RN-F" type
Standard length 16 feet (5 m)

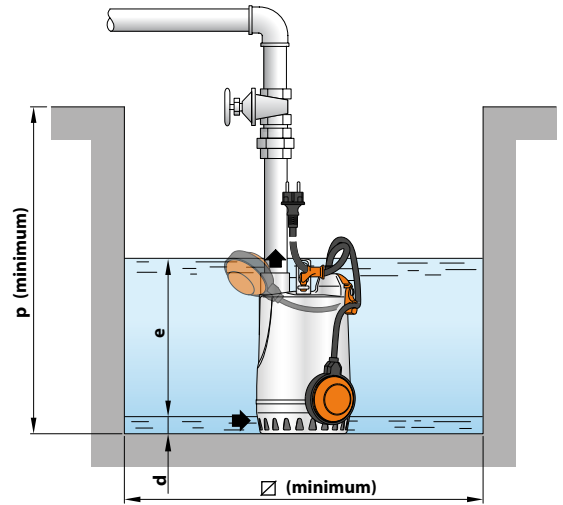
14 FLOAT SWITCH
(Only for single-phase versions)



DIMENSIONS AND WEIGHT

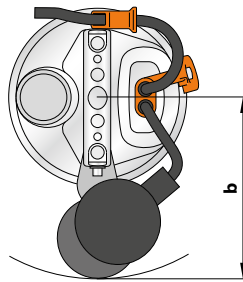
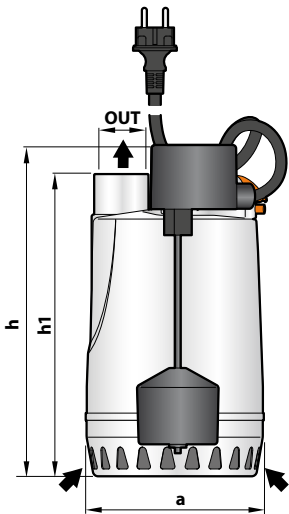


Standard installation

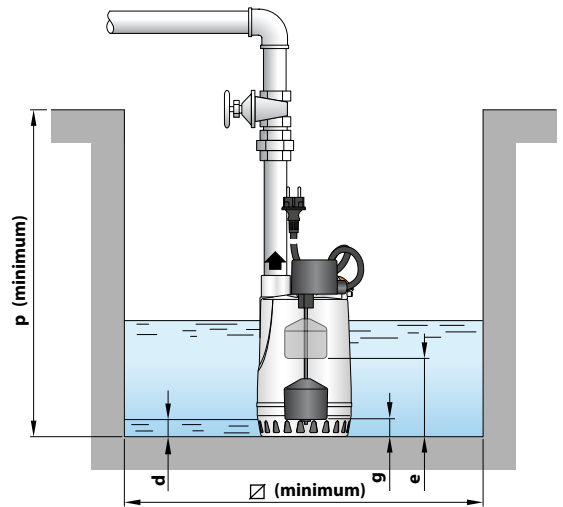


MODEL NUMBER		PORT OUT	DIMENSIONS (inches)								Lbs	
Single-phase	Three-phase		a	b	h	h1	d	e	p	∅	1-PH	3-PH
RXm 1	RX 1	1 1/4"	5.8	3.3	10.6	9.6	0.55	variable	13.8	13.8	13.4	12.1
RXm 2	RX 2				11.7	10.7					13.4	12.3
RXm 3	RX 3				16.7	15.4						

Version with vertical float switch



Standard installation



MODEL	PORT OUT	DIMENSIONS (inches)									Lbs	
Single-phase	OUT	a	b	h	h1	d	e	g	p	∅	1-PH	
RXm 1-GM	1 1/4"	5.8	5.9	10.6	9.6	0.55	5.7	1.6	13.8	9.4	13.7	
RXm 2-GM				11.8	10.7		6.9	1.8			13.7	
RXm 3-GM				16.5								

ABSORPTION

MODEL	VOLTAGE		
Single-phase	230 V	115 V	127 V
RXm 1	1.5 A	3.2 A	2.8 A
RXm 2	2.5 A	5.0 A	4.3 A
RXm 3	3.3 A	7.5 A	6.1 A

MODEL	VOLTAGE		
Three-phase	230 V	380 V	460 V
RX 1	1.6 A	0.9 A	0.8 A
RX 2	2.2 A	1.3 A	1.1 A
RX 3	2.8 A	1.6 A	1.4 A

NO. COMPONENT CONSTRUCTION CHARACTERISTICS

1	PUMP BODY	Stainless steel AISI 304 with threaded port in compliance with ISO 228/1
2	SUCTION FILTER	Stainless steel AISI 304
3	DIFFUSER	Stainless steel AISI 304
4	IMPELLER	Stainless steel AISI 304
5	MOTOR CASING	Stainless steel AISI 304
6	MOTOR CASING PLATE	Stainless steel AISI 304
7	MOTOR SHAFT	Stainless steel AISI 431

8 SHAFT WITH DOUBLE MECHANICAL SEAL SEPARATED BY AN OIL CHAMBER

Seal Model	Shaft Diameter	Position	Materials		
			Stationary ring	Rotational ring	Elastomer
MG1-14D SIC	Ø 0.5 in	Motor side	Silicon carbide	Graphite	NBR
		Pump side	Silicon carbide	Silicon carbide	NBR

9 BEARINGS 6203 ZZ-C3E / 6203 ZZ-C3E

10 CAPACITOR

Pump	Capacitance	
Single-phase	(230 V)	(110 V or 127 V)
RXm 4	20 µF - 450 VL	30 µF - 250 VL
RXm 5	25 µF - 450 VL	-

11 ELECTRIC MOTOR

RXm: single-phase 230 V - 60 Hz
with thermal overload protector incorporated into the winding

RX: three-phase 380 V - 60 Hz

- Insulation: class F
- Protection: IP X8

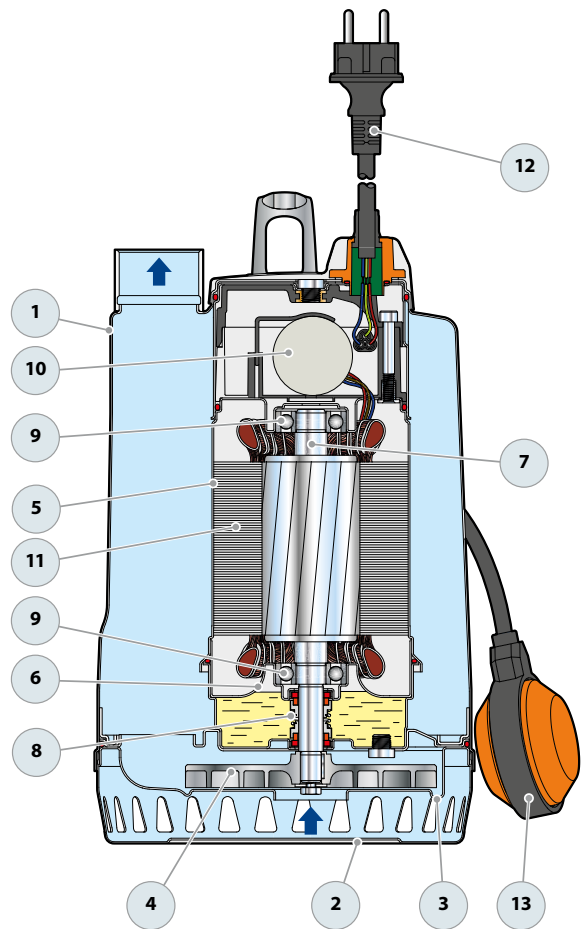
12 POWER CABLE

"H07 RN-F" type
(with Schuko plug for single-phase versions only)

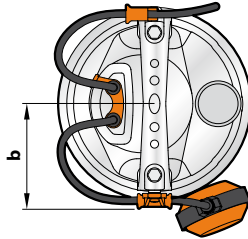
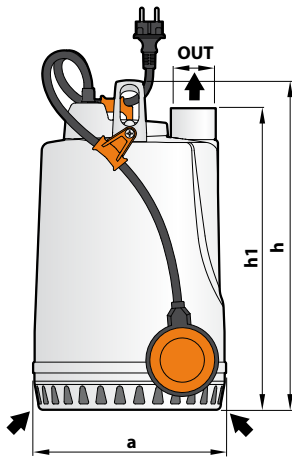
Standard length 32 feet (10 m)

13 FLOAT SWITCH

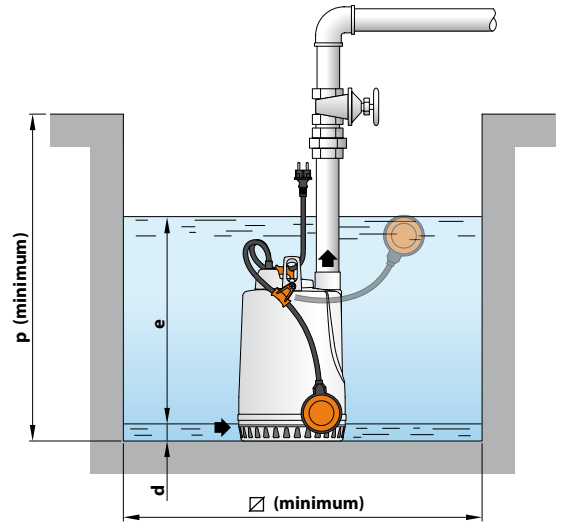
Only for single-phase versions
(Vertical float switch in the GM versions).



DIMENSIONS AND WEIGHT

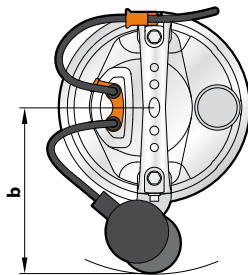
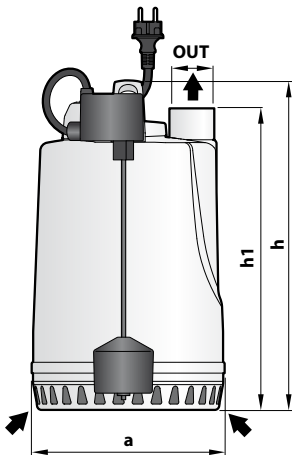


Standard installation

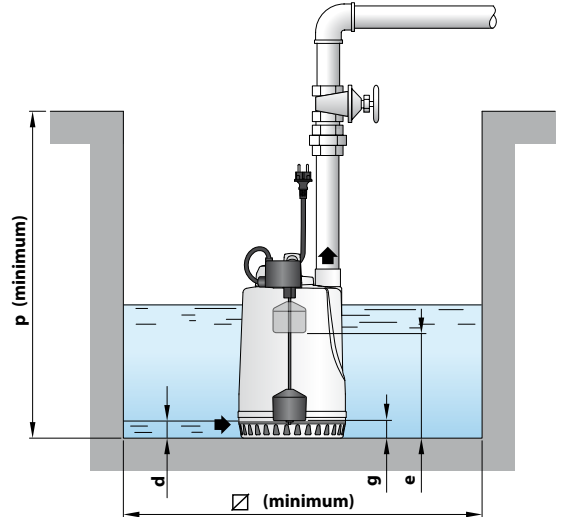


MODEL NUMBER		PORT OUT	DIMENSIONS (inches)								Lbs	
Single-phase	Three-phase		a	b	h	h1	d	e	p	□	1-PH	3-PH
RXm 4	RX 4	1½"	8.7	4.7	14.5	13.2	0.98	variable	19.7	19.7	31.7	29.3
RXm 5	RX 5										33.9	31.7

Version with vertical float switch



Standard installation



MODEL NUMBER		PORT OUT	DIMENSIONS (inches)									Lbs
Single-phase			a	b	h	h1	d	e	g	p	□	1-PH
RXm 4 - GM	1½"	8.6	7.3	14.6	13.2	0.98	9.8	1.9	19.7	11.8	36.8	
RXm 5 - GM											34.8	

ABSORPTION

MODEL	VOLTAGE		
	230 V	110 V	127 V
Single-phase	230 V	110 V	127 V
RXm 4	5.9 A	11.8 A	10.2 A
RXm 5	7.7 A	-	-

MODEL	VOLTAGE		
	230 V	380 V	460 V
Three-phase	230 V	380 V	460 V
RX 4	4.3 A	2.5 A	2.2 A
RX 5	6.1 A	3.5 A	3.3 A