

Pumps with Peripheral Impeller

Clean Water

Residential



PERFORMANCE RANGE

- Flow rate up to **23 GPM** (90 l/min) (5.4 m³/h)
- Head up to **328 feet** (100 m)

APPLICATION LIMITS

- Maximum Suction Lift up to **26 feet** (8 m)
- Liquid Temperature between **-10 °C** and **+90 °C**
- Ambient Temperature between **14°F** (-10 °C) and **104°F** (+40°C) (**122°F** (+50 °C) for PQ 60)
- Maximum Working Pressure:
 - **87 psi** (6 bar) for PQ 60, PQ 65
 - **101 psi** (7 bar) for PQ 70, PQ 80
 - **145 psi** (10 bar) for PQ 90, PQ 100, PQ 200, PQ 300
- Continuous Duty Rating **S1**

CONSTRUCTION AND SAFETY STANDARDS

EN 60335-1
IEC 60335-1
CEI 61-150

EN 60034-1
IEC 60034-1
CEI 2-3



CERTIFICATIONS

Company with management system certified DNV
ISO 9001: QUALITY

FEATURES AND BENEFITS

- Clean water that does not contain abrasive particles
- Liquids that are not chemically aggressive
- Hydraulic
- Compact

APPLICATIONS AND MARKETS

- Residential
- Industrial
- Water Distribution
- Small Pressure Tanks
- Water Well Service
- Pressure Boosting Systems
- OEM Equipment

PATENTS - TRADE MARKS - MODELS

- Motor Bracket: patent No. IT1243605
- Shaft: Patent No. 0000275945 (PQ60, PQ65)
- Registered EU Design No. 002146548
- **PQm 60** Registered Trade Mark No.. 0001520591

OPTIONS AVAILABLE ON REQUEST

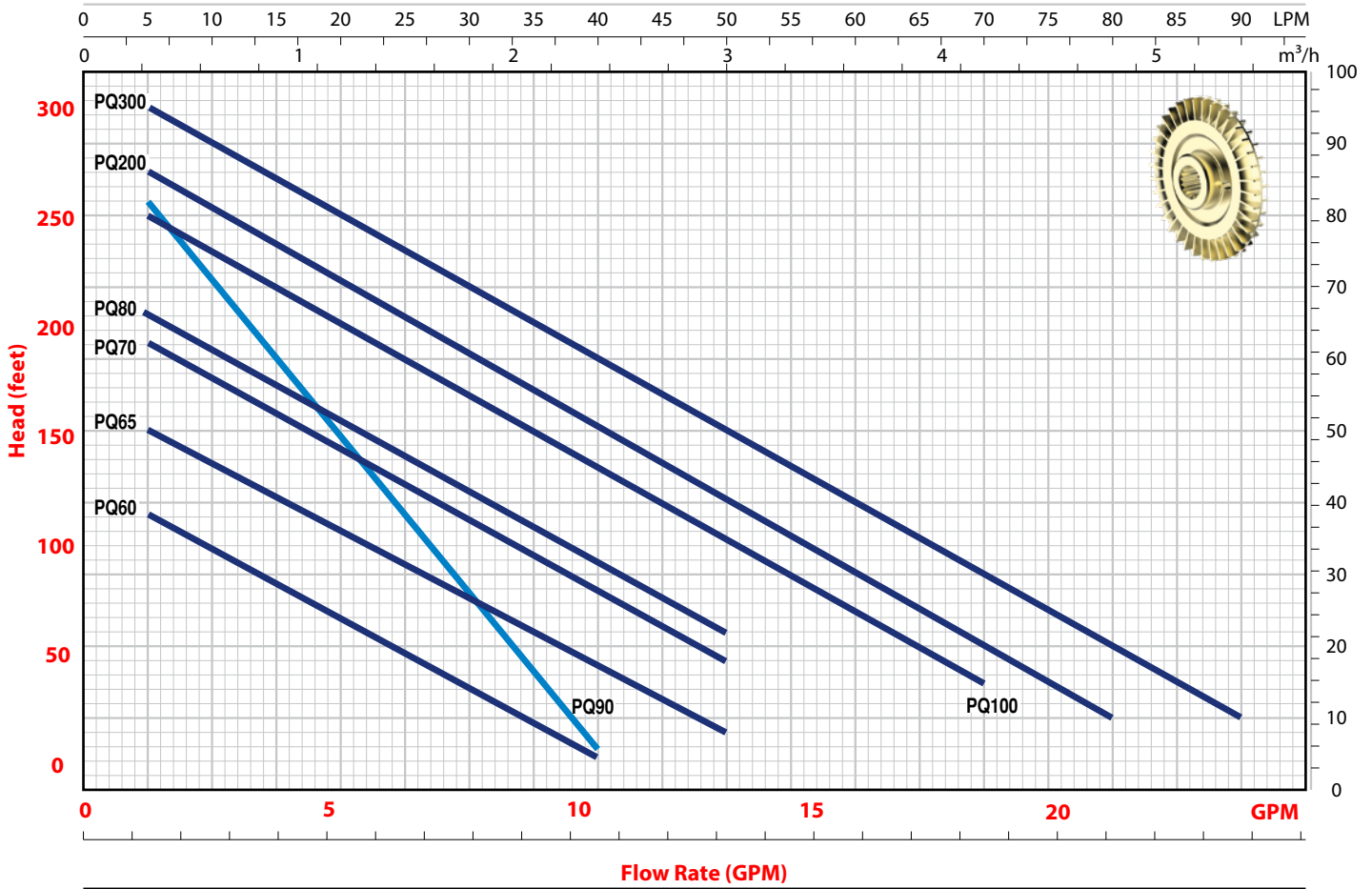
- Pump Body with GAS ANSI B 1.20.1 Threaded Ports
- Special Mechanical Seals
- Other Voltages Available
- IP X5 Class Protection for PQ 70/80/90/100/200/300

WARRANTY

2 YEARS subject to terms and conditions

PERFORMANCE CURVES AND DATA

60 Hz RPM = 3450



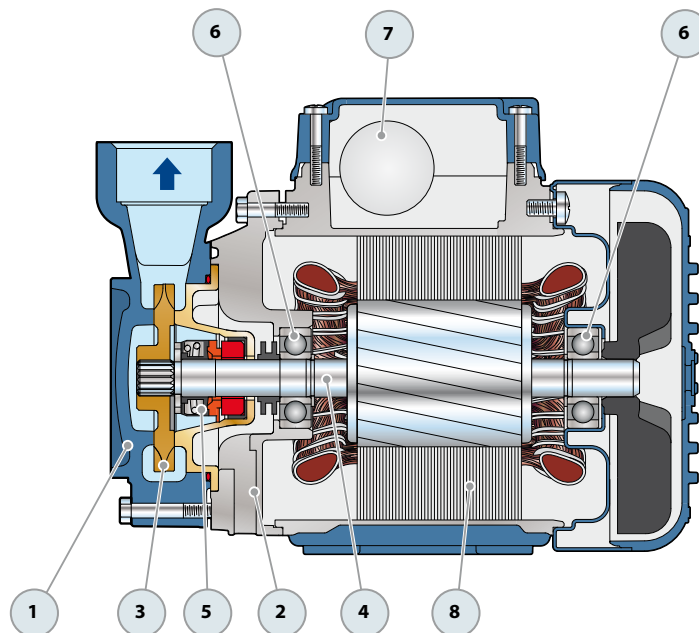
MODEL NUMBER		MOTOR SIZE			LPM	0	5	10	15	20	25	30	35	40	50	60	70	80	90
Single-phase	Three-phase	kW	HP	EFF	GPM	0	1.3	2.6	3.9	5.2	6.6	7.9	9.2	10.6	13.2	15.8	18.5	21.1	23.8
PQm 60	PQ 60	0.37	0.50	IE2	HEAD (feet)	131	124	109	95	78	63	49	32	16	-	-	-	-	-
PQm 65	PQ 65	0.55	0.75			180	164	149	132	118	101	88	72	55	26	-	-	-	-
PQm 70	PQ 70	0.60	0.85	213		203	187	170	154	137	121	104	88	59	-	-	-	-	
PQm 80	PQ 80	0.75	1.00	229		216	200	183	167	150	134	119	101	72	-	-	-	-	
PQm 90	PQ 90	0.75	1.00	IE3		295	269	232	196	160	124	88	55	16	-	-	-	-	
PQm 100	PQ 100	1.10	1.50			278	262	246	229	213	196	180	164	147	114	82	49	-	-
PQm 200	PQ 200	1.50	2.00			295	282	265	249	232	214	196	180	164	131	98	65	32	-
PQm 300	PQ 300	2.20	3.00			328	311	295	278	262	246	229	213	196	164	131	98	65	10

EFF = Three-phase motor efficiency class (IEC 60034-30-1)

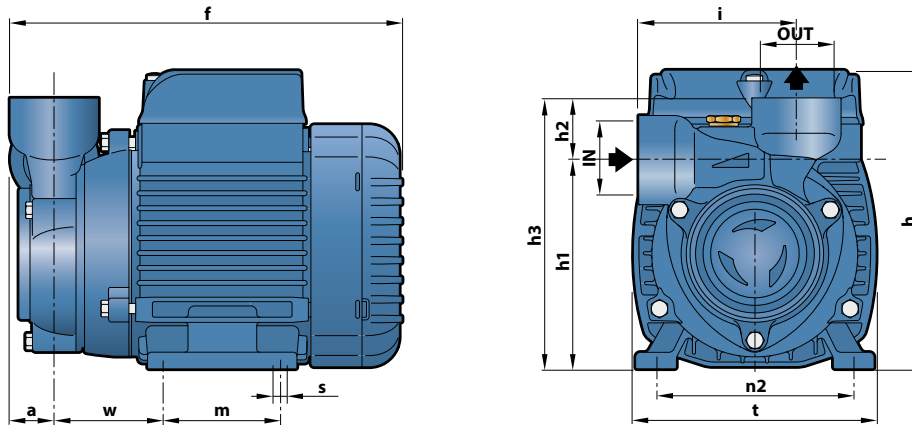
Tolerance of characteristic curves in compliance with EN ISO 9906 Grade 3B.

POS. COMPONENT CONSTRUCTION CHARACTERISTICS

1 PUMP BODY	Cast iron with threaded ports in compliance with ISO 228/1					
2 MOTOR BRACKET	Aluminium with brass insert (patented), reduces the risk of impeller seizure					
3 IMPELLER	Brass with peripheral radial vanes					
4 MOTOR SHAFT	Stainless steel AISI 431 (EN 10088-3 - 1.4104 for PQ 60, PQ 65)					
5 MECHANICAL SEAL	Pump	Seal	Shaft	Materials		
	<i>Model</i>	<i>Model</i>	<i>Diameter</i>	<i>Stationary ring</i>	<i>Rotational ring</i>	<i>Elastomer</i>
	PQ 60-65-70-80	AR-12	Ø 0.4 in	Ceramic	Graphite	NBR
	PQ 90	ST1-12	Ø 0.4 in	Silicon carbide	Graphite	NBR
PQ 100-200-300	FN-14	Ø 0.5 in	Graphite	Ceramic	NBR	
6 BEARINGS	Pump	Model				
	PQ 60-65	6201 ZZ / 6201 ZZ				
	PQ 70-80-90	6203 ZZ / 6203 ZZ				
	PQ 100-200-300	6204 ZZ / 6204 ZZ				
7 CAPACITOR						
8 ELECTRIC MOTOR	PQm: single-phase 220 V - 60 Hz with thermal overload protector incorporated into the winding.					
	PQ: three-phase 220/380 V - 60 Hz or 230/460 V - 60 Hz.					
	<p>➔ The three-phase pumps are fitted with high performance motors up to P₂=0.55 kW in class IE2 and from P₂=0.60 kW in class IE3 (IEC 60034-30-1)</p> <ul style="list-style-type: none"> - Insulation: class F - Protection: IP X4 					



DIMENSIONS AND WEIGHT



MODEL		PORTS		DIMENSIONS (inches)												Lbs		
Single-phase	Three-phase	IN	OUT	a	f	h	h1	h2	h3	i	m	t	n2	w	s	1-PH	3-PH	
PQm 60	PQ 60	1"	1"	0.86	7.5	5.7	3.9	1.1	5.2	2.9	2.2	4.6	3.7-3.9	2.1	0.27	10.6	10.6	
PQm 65	PQ 65				8.6	5.9	4.4		5.6	3.1	3.1	4.7	3.9					
PQm 70	PQ 70				10.1	7.1 *	4.7		5.9	3.3	3.5	5.6	4.4					2.4
PQm 80	PQ 80				4.9		1.1		6	3.3								
PQm 90	PQ 90	¾"	¾"	1.1	12.7	8.3	5.5	1.1	6.6	3.5	3.9	6.4	4.9	3.7	0.35	33.5	33.5	
PQm 100	PQ 100	1"	1"		13.5													
PQm 200	PQ 200																	
PQm 300	PQ 300																	

(*) h = 7.8 in (199 mm) for single-phase versions at 115 V or 127 V

ABSORPTION AND CAPACITORS

MODEL	VOLTAGE			CAPACITANCE	
	230 V	115 V	127 V	(230 V)	(115 V or 127 V)
PQm 60	2.6 A	5.6 A	4.5 A	10 µF - 450 VL	25 µF - 250 VL
PQm 65	5.8 A	10.6 A	10.0 A	14 µF - 450 VL	25 µF - 250 VL
PQm 70	5.2 A	13.5 A	9.0 A	16 µF - 450 VL	60 µF - 300 VL
PQm 80	5.2 A	10.4 A	9.0 A	20 µF - 450 VL	60 µF - 300 VL
PQm 90	5.6 A	11.5 A	9.7 A	20 µF - 450 VL	60 µF - 300 VL
PQm 100	9.0 A	18.0 A	15.6 A	31.5 µF - 450 VL	60 µF - 250 VL
PQm 200	12.0 A	24.0 A	20.8 A	45 µF - 450 VL	80 µF - 250 VL
PQm 300	12.5 A	-	-	50 µF - 450 VL	-

MODEL	VOLTAGE			
	230 V	380 V	230 V	460 V
PQ 60	2.0 A	1.15 A	2.1 A	1.2 A
PQ 65	3.2 A	1.85 A	2.7 A	1.5 A
PQ 70	3.8 A	2.2 A	3.8 A	2.2 A
PQ 80	3.8 A	2.2 A	3.8 A	2.0 A
PQ 90	4.2 A	2.4 A	4.2 A	2.4 A
PQ 100	8.3 A	4.8 A	6.5 A	3.6 A
PQ 200	9.2 A	5.3 A	7.0 A	4.2 A
PQ 300	10.0 A	5.8 A	8.2 A	4.8 A