

PLURIJET 90-130-200



Self-Priming Multi-Stage Pumps

 Clean Water

 Residential

 Commercial



PERFORMANCE RANGE

- Flow Rate up to **52 GPM** (200 l/min) (12 m³/h)
- Head up to **318 feet** (97 m)

APPLICATION LIMITS

- Maximum Suction Lift up to **29 feet** (9 m)
- Liquid Temperature between **14°F** (-10°C) and **104°F** (+40°C)
- Ambient Temperature up to **104°F** (+40°C)
- Maximum Working Pressure **145 psi** (10 bar)
- Continuous Duty Rating **S1**

CONSTRUCTION AND SAFETY STANDARDS

EN 60335-1
IEC 60335-1
CEI 61-150

EN 60034-1
IEC 60034-1
CEI 2-3



CERTIFICATIONS

Company with management system certified DNV
ISO 9001: QUALITY

FEATURES AND BENEFITS

- Clean water that does not contain abrasive particles
- Liquids that are not chemically aggressive
- Quiet

APPLICATIONS AND MARKETS

- Commercial
- Residential
- Irrigation
- Water Distribution
- Water Well Service
- Pressure Boosting Systems
- OEM Equipment
- Small/Medium Pressure Tanks

PATENTS - TRADE MARKS - MODELS

- Registered Trade Mark No. 3974301 PLURIJET®
- Patent Pending No. EP14755156.8

OPTIONS AVAILABLE ON REQUEST

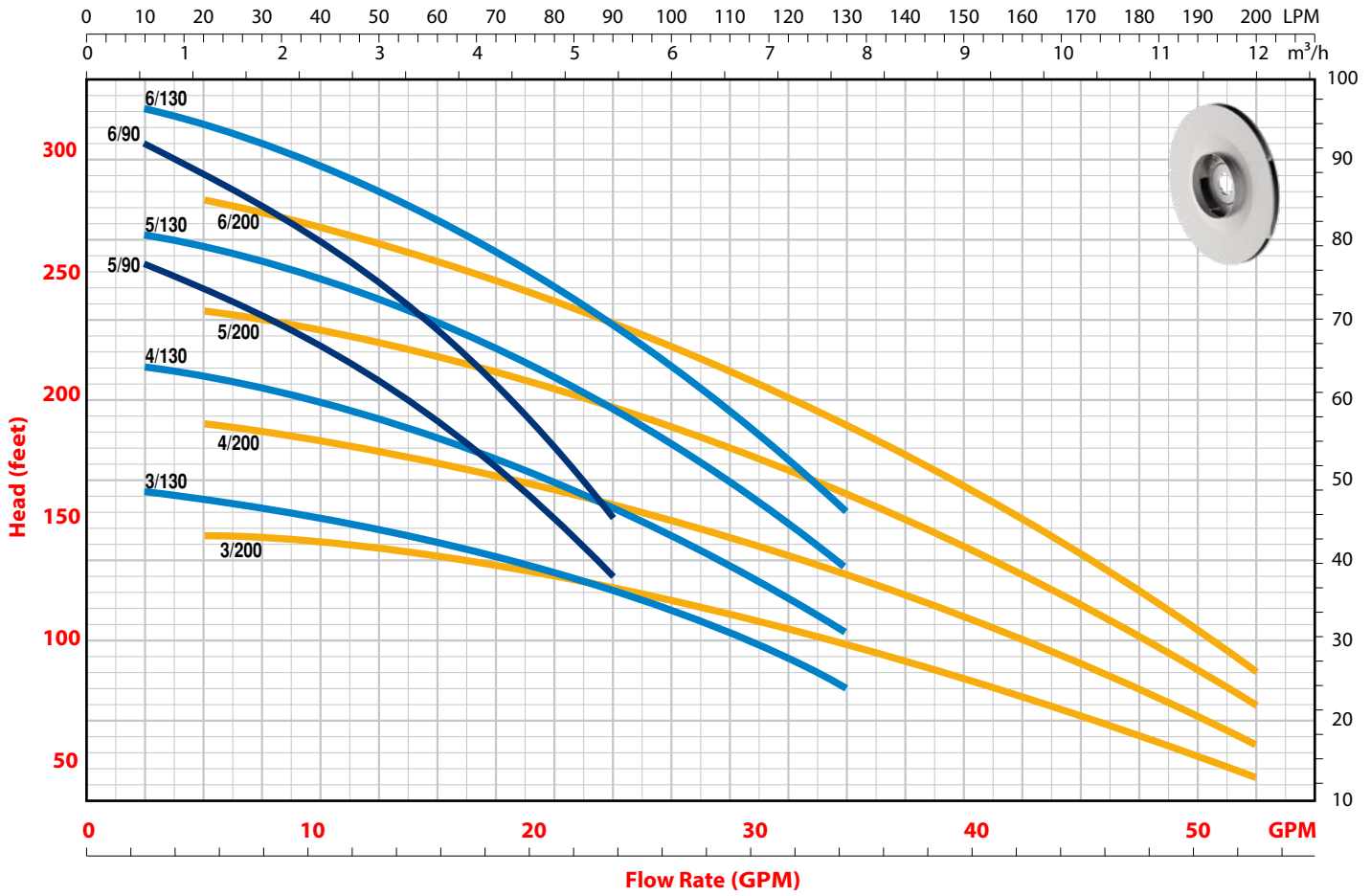
- Pump Body with GAS ANSI B 1.20.1 Threaded Ports
- Other Voltages
- IPX5 Class Protection

GUARANTEE

2 YEARS subject to terms and conditions

PERFORMANCE CURVES AND DATA

60 Hz RPM = 3450

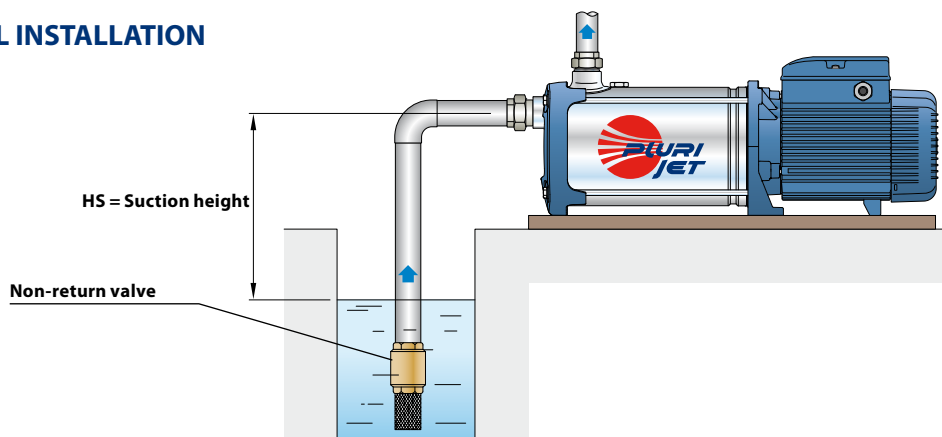


MODEL NUMBER		MOTOR SIZE			LPM	0	5	10	20	40	60	90	100	130	140	160	180	200		
Single-phase	Three-phase	kW	HP	EFF	GPM	0	5	10	20	40	60	90	100	130	140	160	180	200		
PLURIJETm 5/90	PLURIJET 5/90	1.10	1.50	IE3	HEAD (feet)	21.1	20.6	20.3	19.5	17.7	15.1	10								
PLURIJETm 6/90	PLURIJET 6/90	1.50	2.00			25.4	24.8	24.3	23.2	21.1	18.2	11.9								
PLURIJETm 3/130	PLURIJET 3/130	1.10	1.50			12.9	12.9	12.8	12.5	11.8	11.2	9.5	8.8	6.3						
PLURIJETm 4/130	PLURIJET 4/130	1.50	2.00			17.2	17.2	16.9	16.6	15.8	14.8	12.1	11.3	8.2						
PLURIJETm 5/130	PLURIJET 5/130	1.80	2.50			21.4	21.4	21.3	20.8	19.8	18.5	15.5	14.3	10.3						
-	PLURIJET 6/130	2.20	3.00			25.6	25.6	25.5	24.9	23.8	21.9	18.2	16.9	12.1						
PLURIJETm 3/200	PLURIJET 3/200	1.10	1.50			11.6	11.5	11.5	11.3	11.1	10.7	9.8	9.2	7.7	7.3	6.1	4.8	3.4		
PLURIJETm 4/200	PLURIJET 4/200	1.50	2.00			15.3	15.2	15.2	15.1	14.5	13.8	12.4	11.9	10	9.4	7.9	6.3	4.5		
PLURIJETm 5/200	PLURIJET 5/200	1.80	2.50			19.3	19	18.9	18.8	18.2	17.2	15.6	14.9	12.7	11.8	10	7.9	5.8		
-	PLURIJET 6/200	2.20	3.00			22.9	22.7	22.6	22.4	21.7	20.6	18.2	17.7	15.1	14	11.9	9.5	6.9		

EFF = Three-phase motor efficiency class (IEC 60034-30-1)

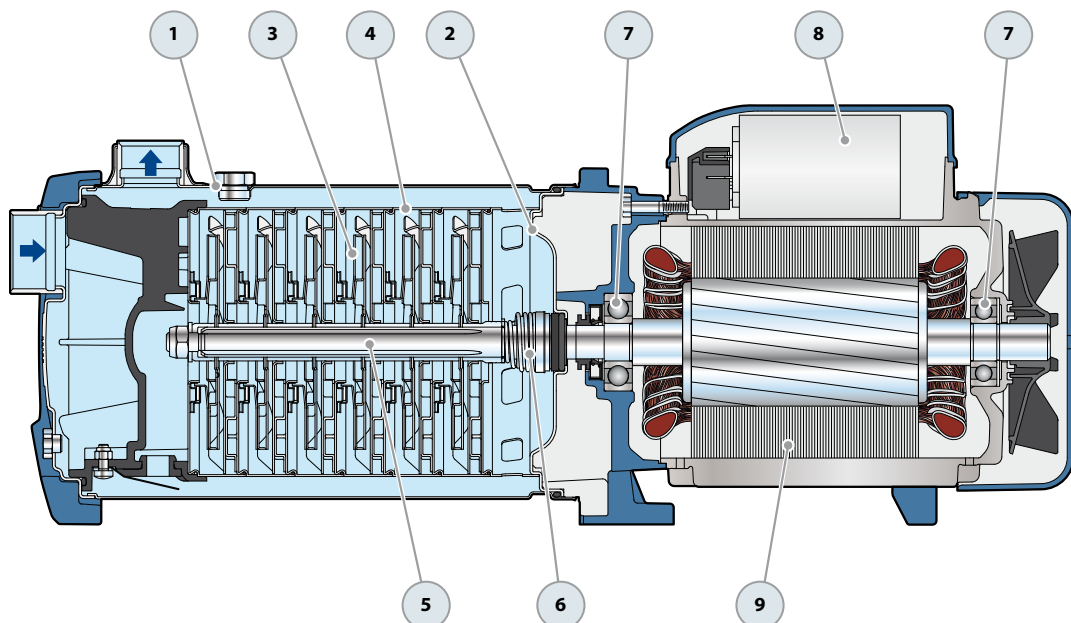
Tolerance of characteristic curves in compliance with EN ISO 9906 Grade 3B.

TYPICAL INSTALLATION

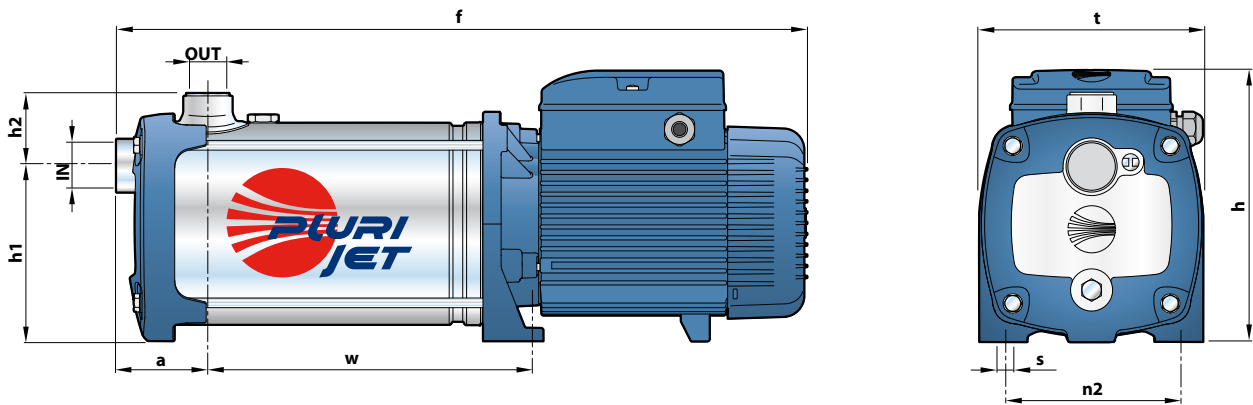


NO. COMPONENT CONSTRUCTION CHARACTERISTICS

1	PUMP BODY	Stainless steel AISI 304 complete with threaded ports in compliance with ISO 228/1				
2	BODY BACKPLATE	Stainless steel AISI 304				
3	IMPELLERS	Stainless steel AISI 304				
4	DIFFUSERS	Stainless steel AISI 304				
5	MOTOR SHAFT	Stainless steel AISI 431				
6	MECHANICAL SEAL	<i>Seal</i>	<i>Shaft</i>	<i>Materials</i>		
		<i>Model</i>	<i>Diameter</i>	<i>Stationary ring</i>	<i>Rotational ring</i>	<i>Elastomer</i>
		FN-18	Ø 0.7 in	Graphite	Ceramic	NBR
7	BEARINGS	6304 2RS - C3 / 6204 ZZ - C3E				
8	CAPACITOR	<i>Pump</i>	<i>Capacitance</i>			
		<i>Single-phase</i>	<i>(230 V)</i>	<i>(115 V or 127 V)</i>		
		PLURIJETm 5/90	31.5 µF - 450 VL	60 µF - 250 VL		
		PLURIJETm 3/130				
		PLURIJETm 3/200				
		PLURIJETm 6/90	45 µF - 450 VL	80 µF - 250 VL		
PLURIJETm 4/130						
PLURIJETm 4/200						
PLURIJETm 5/130	50 µF - 450 VL	-				
PLURIJETm 5/200						
9	ELECTRIC MOTOR	<p>PLURIJETm: single-phase 230 V - 60 Hz with thermal overload protector incorporated into the winding.</p> <p>PLURIJET: three-phase 220/380 V - 60 Hz or 230/460 V - 60 Hz.</p> <p>⇒ The three-phase pumps are fitted with high performance motors in class IE3 (IEC 60034-30-1)</p> <ul style="list-style-type: none"> - Insulation: class F - Protection: IP X4 				



DIMENSIONS AND WEIGHT



MODEL NUMBER		PORTS		DIMENSIONS (inches)									Lbs	
Single-phase	Three-phase	IN	OUT	a	f	h	h1	h2	t	n2	w	s	1-PH	3-PH
PLURIJETm 5/90	PLURIJET 5/90	1¼"	1"	2.9	21.6	8.9	5.7	2.3	7.3	5.7	9.6	0.4	44.9	45.2
PLURIJETm 6/90	PLURIJET 6/90				22.5						10.6		50.0	49.6
PLURIJETm 3/130	PLURIJET 3/130				19.6						7.5		40.8	41.1
PLURIJETm 4/130	PLURIJET 4/130				20.6						8.5		45.2	45.4
PLURIJETm 5/130	PLURIJET 5/130				22.4						9.6		52.2	53.3
-	PLURIJET 6/130				23.4						10.6		-	55.8
PLURIJETm 3/200	PLURIJET 3/200				19.6						7.5		40.8	41.0
PLURIJETm 4/200	PLURIJET 4/200				20.6						8.5		45.4	45.4
PLURIJETm 5/200	PLURIJET 5/200				22.4						9.6		54.4	52.9
-	PLURIJET 6/200				23.4						10.6		-	55.1

ABSORPTION

MODEL	VOLTAGE		
	230 V	115 V	127 V
Single-phase			
PLURIJETm 5/90	9.3 A	18.5 A	16.1 A
PLURIJETm 6/90	11.0 A	22.0 A	19.1 A
PLURIJETm 3/130	8.5 A	17.0 A	14.7 A
PLURIJETm 4/130	11.0 A	22.0 A	19.1 A
PLURIJETm 5/130	13.0 A	26.0 A	22.5 A
PLURIJETm 3/200	8.6 A	17.2 A	14.8 A
PLURIJETm 4/200	11.0 A	22.0 A	19.1 A
PLURIJETm 5/200	13.0 A	26.0 A	22.5 A

MODEL	VOLTAGE			
	220 V	380 V	230 V	460 V
Three-phase				
PLURIJET 5/90	7.0 A	4.0 A	5.5 A	3.5 A
PLURIJET 6/90	7.5 A	4.3 A	7.0 A	4.0 A
PLURIJET 3/130	6.0 A	3.4 A	5.2 A	3.2 A
PLURIJET 4/130	7.0 A	4.0 A	5.5 A	3.5 A
PLURIJET 5/130	9.0 A	5.2 A	8.3 A	4.8 A
PLURIJET 6/130	10.0 A	5.8 A	9.6 A	5.6 A
PLURIJET 3/200	7.0 A	4.0 A	5.5 A	3.5 A
PLURIJET 4/200	7.5 A	4.3 A	7.0 A	4.0 A
PLURIJET 5/200	9.0 A	5.2 A	8.3 A	4.8 A
PLURIJET 6/200	10.0 A	5.8 A	9.6 A	5.6 A