

PLURIJET 80-100

Self-Priming Multi-Stage Pumps



PLURIJET 80-100

Impellers: **Stainless Steel AISI 304**



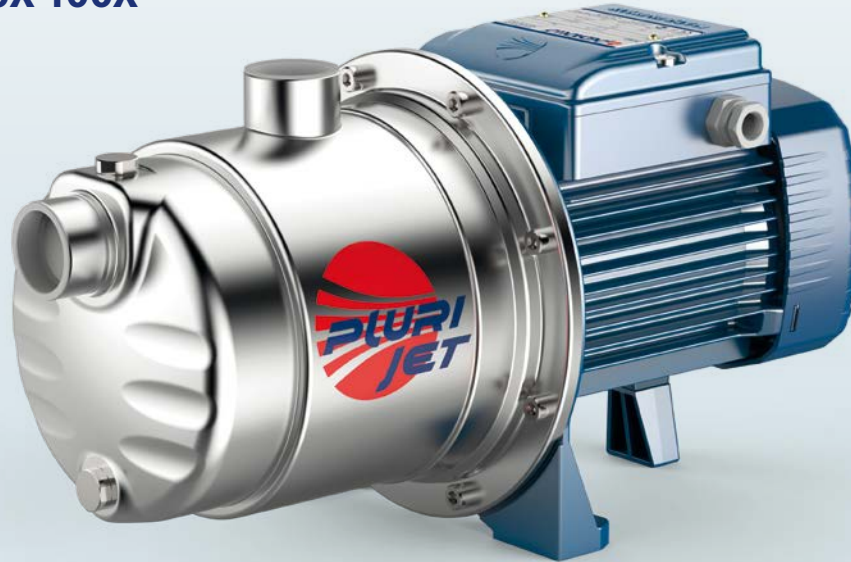
PLURIJET 80X-100X

Impellers: **Noryl**

 Clean Water

 Residential

 Commercial



PERFORMANCE RANGE

- Flow Rate up to **34 GPM** (130 l/min) (7.8 m³/h)
- Head up to **170 feet** (52 m)

APPLICATION LIMITS

- Maximum Suction Lift up to **29 feet** (9 m)
- Liquid Temperature between **14°F** (-10°C) and **104°F** (+40°C)
- Ambient Temperature up to **+40 °C**
- Maximum Working Pressure **87 psi** (6 bar)
- Continuous Duty Rating **S1**

CONSTRUCTION AND SAFETY STANDARDS

EN 60335-1
IEC 60335-1
CEI 61-150

EN 60034-1
IEC 60034-1
CEI 2-3



CERTIFICATIONS

Company with management system certified DNV
ISO 9001: QUALITY

FEATURES AND BENEFITS

- Clean water that does not contain abrasive particles
- Liquids that are not chemically aggressive
- Quiet

APPLICATIONS AND MARKETS

- Commercial
- Residential
- Irrigation
- Water Distribution
- Water Well Service
- Pressure Boosting Systems
- OEM Equipment
- Small/Medium Pressure Tanks

PATENTS - TRADE MARKS - MODELS

- PLURIJET® Registered Trade Mark No. 3974301

OPTIONS AVAILABLE ON REQUEST

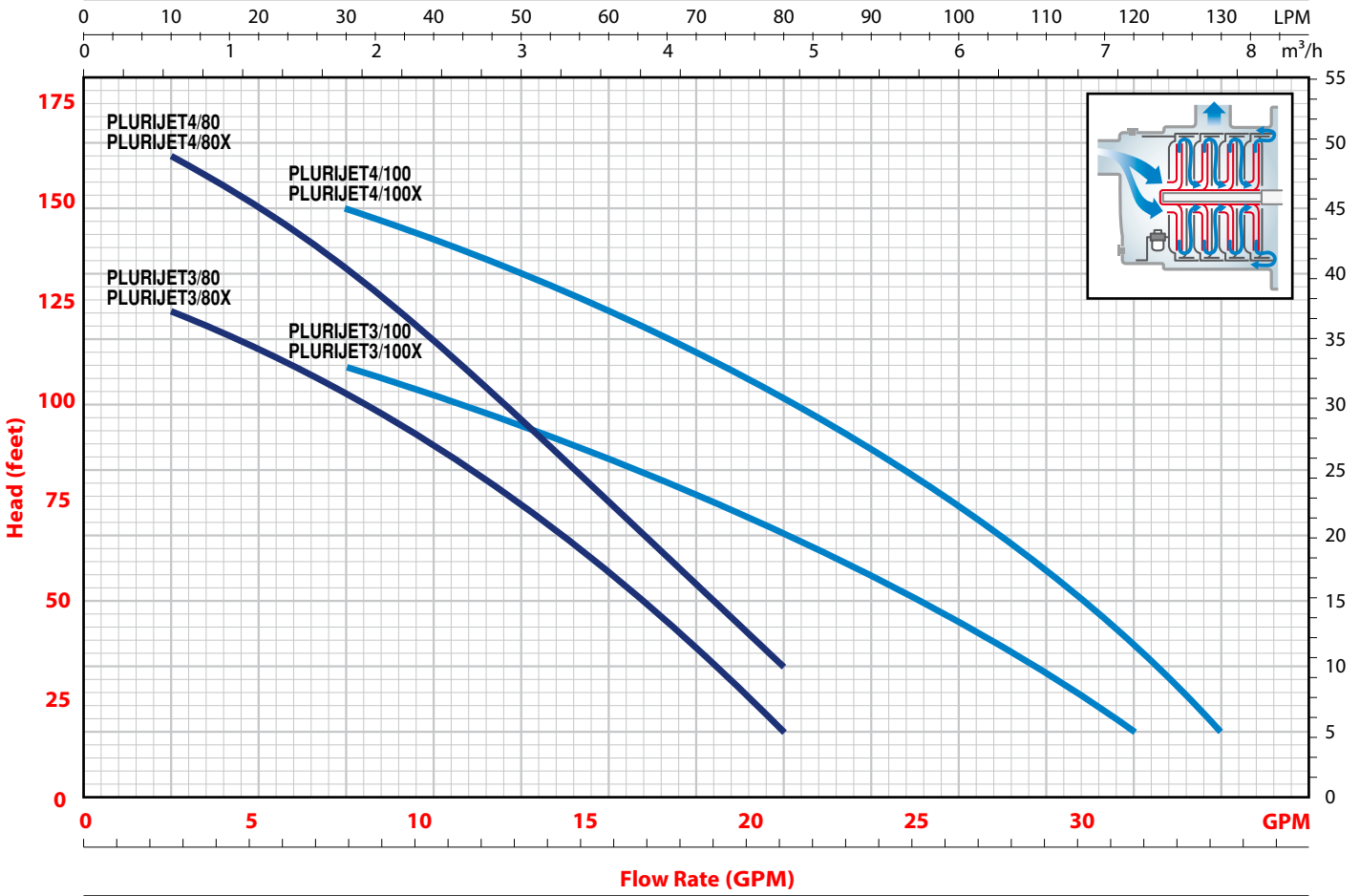
- Other voltages

GUARANTEE

2 YEARS subject to terms and conditions

PERFORMANCE CURVES AND DATA

60 Hz RPM = 3450

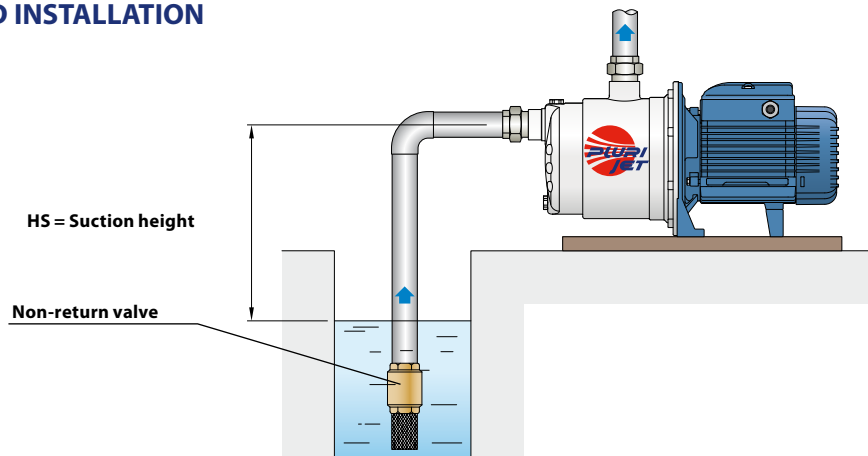


MODEL NUMBER		MOTOR SIZE			LPM	0	5	10	20	30	40	50	60	70	80	90	100	110	120	130		
Single-phase	Three-phase	kW	HP	EFF	GPM	0	1.3	2.6	5.3	7.9	10.6	13.2	15.8	18.5	21.1	23.8	26.4	29.1	31.7	34.3		
PLURIJETm 3/80 PLURIJETm 3/80X	PLURIJET 3/80 PLURIJET 3/80X	0.48	0.65	IE2	HEAD (feet)	131.2	124.7	121.4	113.2	101.7	88.6	73.8	55.8	36.1	16.4							
PLURIJETm 4/80 PLURIJETm 4/80X	PLURIJET 4/80 PLURIJET 4/80X	0.55	0.75			170.6	164.0	160.7	44.5	131.2	111.5	93.5	73.8	52.5	32.8							
PLURIJETm 3/100 PLURIJETm 3/100X	PLURIJET 3/100 PLURIJET 3/100X	0.55	0.75	124.7		121.4	118.1	113.2	108.3	101.7	91.8	85.3	75.4	65.6	55.8	44.3	32.8	16.4				
PLURIJETm 4/100 PLURIJETm 4/100X	PLURIJET 4/100 PLURIJET 4/100X	0.75	1.00	IE3		164	164	160.8	154.2	147.6	137.8	129.6	121.4	111.5	100.1	86.9	72.2	55.8	36.1	16.4		

EFF = Three-phase motor efficiency class (IEC 60034-30-1)

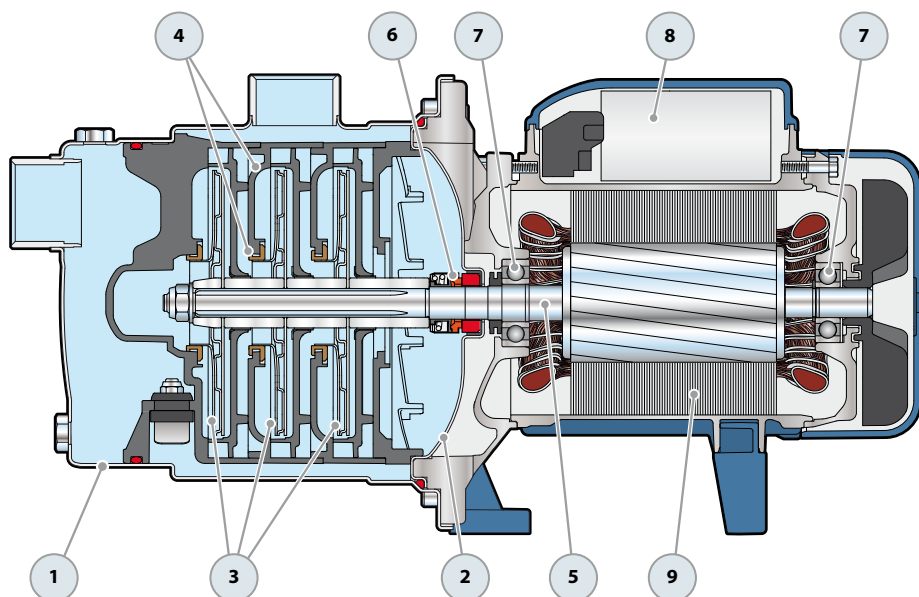
Tolerance of characteristic curves in compliance with EN ISO 9906 Grade 3B.

STANDARD INSTALLATION

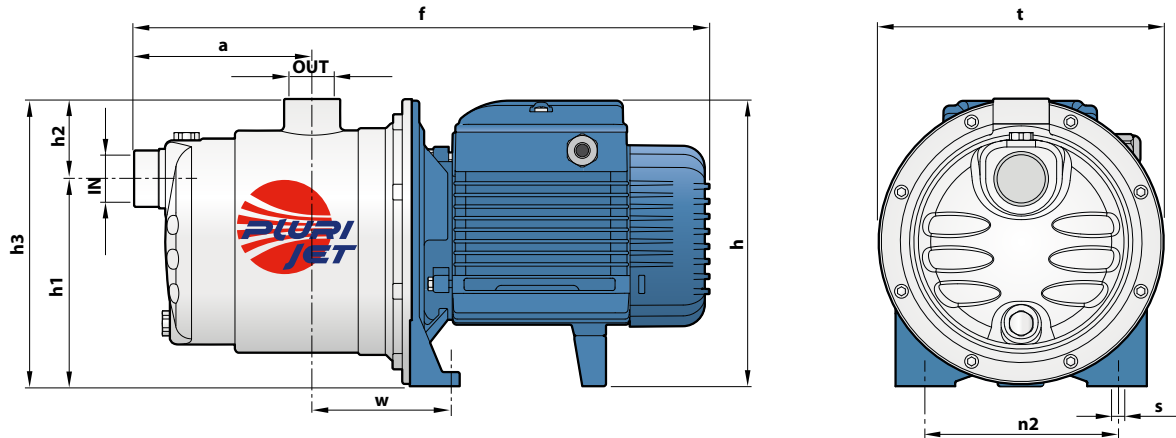


NO. COMPONENT CONSTRUCTION CHARACTERISTICS

1	PUMP BODY	Stainless steel AISI 304 complete with threaded ports in compliance with ISO 228/1		
2	BODY BACKPLATE	Stainless steel AISI 304		
3	IMPELLERS	Stainless steel AISI 304		
4	DIFFUSERS	Noryl complete with anti-wear ring		
5	MOTOR SHAFT	Stainless steel AISI 431		
6	MECHANICAL SEAL	<i>Seal Model</i>	<i>Shaft Diameter</i>	<i>Materials</i>
		AR-13	Ø 0.5 in	Stationary ring: Ceramic Rotational ring: Graphite Elastomer: NBR
7	BEARINGS	<i>Pump Model</i>	<i>Model</i>	
		PLURIJET 3/80	6202 ZZ - C3 / 6201 ZZ	
		PLURIJET 3/100	6202 ZZ - C3 / 6201 ZZ	
		PLURIJET 4/80 PLURIJET 4/100	6203 ZZ / 6203 ZZ	
8	CAPACITOR	<i>Pump Single-phase</i>	<i>Capacitance</i>	
			<i>(230 V)</i>	<i>(115 V or 127 V)</i>
		PLURIJETm 3/80	12.5 µF - 450 VL	25 µF - 250 VL
		PLURIJETm 4/80 PLURIJETm 3/100	14 µF - 450 VL	25 µF - 250 VL
		PLURIJETm 4/100	20 µF - 450 VL	60 µF - 300 VL
9	ELECTRIC MOTOR	<p>PLURIJETm: single-phase 230 V - 60 Hz with thermal overload protector incorporated into the winding. PLURIJET: three-phase 220/380 V - 60 Hz or 230/460 V - 60 Hz.</p> <p>⇒ The three-phase pumps are fitted with high performance motors up to P2=0.55 kW in class IE2 and from P2=0.75 kW in class IE3 (IEC 60034-30-1)</p> <ul style="list-style-type: none"> - Insulation: class F - Protection: IP X4 		



DIMENSIONS AND WEIGHT



MODEL NUMBER		PORTS		DIMENSIONS (inches)										Lbs	
Single-phase	Three-phase	IN	OUT	a	f	h	h1	h2	h3	t	n2	w	s	1-PH	3-PH
PLURIJETm 3/80	PLURIJET 3/80	1"	1"	4.4	14.4	7.2	5.2	2.0	7.2	7.2	4.7	3.4	0.4	17.2	17.2
PLURIJETm 4/80	PLURIJET 4/80			5.4	15.4									19.6	18.5
PLURIJETm 3/100	PLURIJET 3/100			4.4	14.4									18.5	17.2
PLURIJETm 4/100	PLURIJET 4/100			5.4	16.1	7.9 *							0.4	24.7	24.7

(*) h = 8.7 in (221 mm) for single-phase versions at 115 V

ABSORPTION

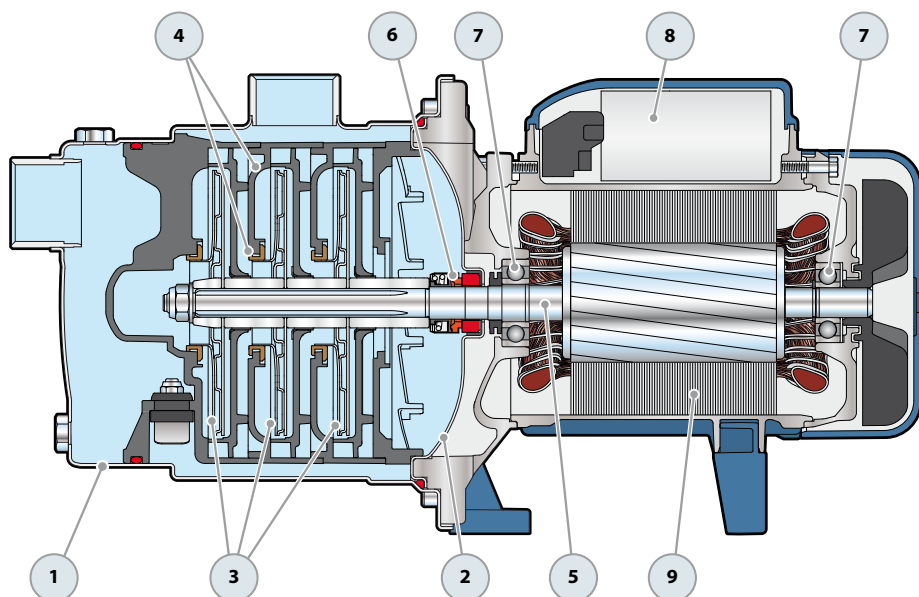
MODEL	VOLTAGE		
	230 V	115 V	127 V
Single-phase			
PLURIJETm 3/80	3.4 A	6.9 A	5.9 A
PLURIJETm 4/80	4.5 A	9.0 A	7.8 A
PLURIJETm 3/100	5.0 A	10.0 A	9.5 A
PLURIJETm 4/100	6.2 A	12.0 A	10.7 A

MODEL	VOLTAGE			
	230 V	380 V	230 V	460 V
Three-phase				
PLURIJET 3/80	2.3 A	1.3 A	2.4 A	1.3 A
PLURIJET 4/80	3.0 A	1.7 A	2.9 A	1.7 A
PLURIJET 3/100	3.0 A	1.7 A	2.9 A	1.7 A
PLURIJET 4/100	4.5 A	2.6 A	4.1 A	2.3 A

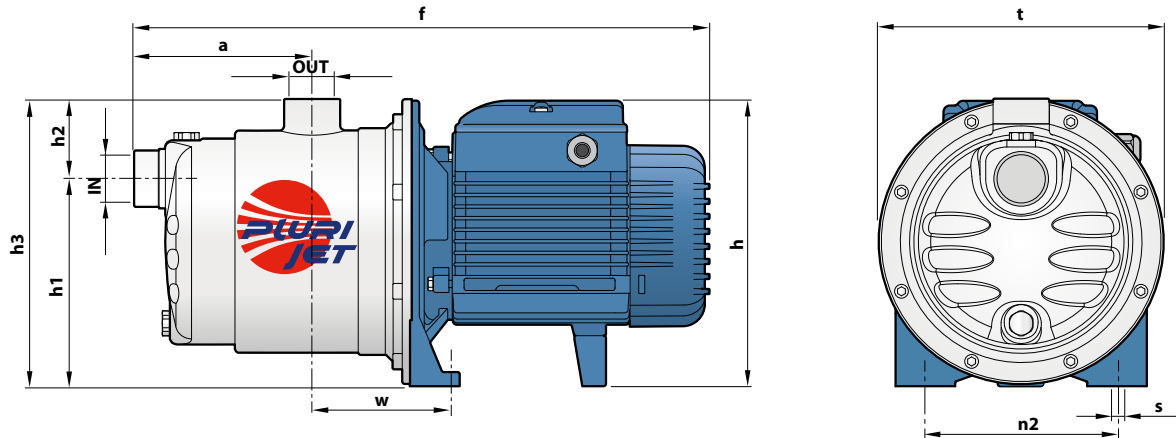
PLURIJET 80X-100X

NOS. COMPONENT CONSTRUCTION CHARACTERISTICS

1	PUMP BODY	Stainless steel AISI 304 complete with threaded ports in compliance with ISO 228/1				
2	BODY BACKPLATE	Stainless steel AISI 304				
3	IMPELLERS	Noryl				
4	DIFFUSERS	Noryl complete with anti-wear ring				
5	MOTOR SHAFT	Stainless steel AISI 431				
6	MECHANICAL SEAL	<i>Seal Model</i>	<i>Shaft Diameter</i>	<i>Stationary ring</i>	<i>Materials</i> <i>Rotational ring</i>	<i>Elastomer</i>
		AR-13	Ø 0.5 in	Ceramic	Graphite	NBR
7	BEARINGS	<i>Pump</i>	<i>Model</i>			
		PLURIJET 3/80X	6202 ZZ - C3 / 6201 ZZ			
		PLURIJET 3/100X	6202 ZZ - C3 / 6201 ZZ			
		PLURIJET 4/80X PLURIJET 4/100X	6203 ZZ / 6203 ZZ			
8	CAPACITOR	<i>Pump</i>	<i>Capacitance</i>			
		<i>Single-phase</i>	<i>(230 V)</i>	<i>(115 V or 127 V)</i>		
		PLURIJETm 3/80X	12.5 µF - 450 VL	25 µF - 250 VL		
		PLURIJETm 4/80X PLURIJETm 3/100X	14 µF - 450 VL	25 µF - 250 VL		
		PLURIJETm 4/100X	20 µF - 450 VL	60 µF - 300 VL		
9	ELECTRIC MOTOR	<p>PLURIJETm: single-phase 230 V - 60 Hz with thermal overload protector incorporated into the winding. PLURIJET: three-phase 220/380 V - 60 Hz or 230/460 V - 60 Hz.</p> <p>⇒ The three-phase pumps are fitted with high performance motors up to P2=0.55 kW in class IE2 and from P2=0.75 kW in class IE3 (IEC 60034-30-1)</p> <ul style="list-style-type: none"> - Insulation: class F - Protection: IP X4 				



DIMENSIONS AND WEIGHT



MODEL NUMBER		PORTS		DIMENSIONS (inches)										Lbs	
Single-phase	Three-phase	IN	OUT	a	f	h	h1	h2	h3	t	n2	w	s	1-PH	3-PH
PLURIJETm 3/80X	PLURIJET 3/80X	1"	1"	4.4	14.4	7.2	5.2	2.0	7.2	7.2	4.7	3.4	0.3	16.1	16.1
PLURIJETm 4/80X	PLURIJET 4/80X			5.4	15.4									18.1	16.5
PLURIJETm 3/100X	PLURIJET 3/100X			4.4	14.4									17.4	16.1
PLURIJETm 4/100X	PLURIJET 4/100X			5.4	16.1	7.9 *							0.4	23.1	23.1

(*) h = 8.7 in (221 mm) for single-phase versions at 115 V

ABSORPTION

MODEL	VOLTAGE		
	230 V	115 V	127 V
Single-phase			
PLURIJETm 3/80X	3.4 A	6.9 A	5.9 A
PLURIJETm 4/80X	4.5 A	9.0 A	7.8 A
PLURIJETm 3/100X	5.0 A	10.0 A	9.5 A
PLURIJETm 4/100X	6.2 A	12.0 A	10.7 A

MODEL	VOLTAGE			
	230 V	380 V	230 V	460 V
Three-phase				
PLURIJET 3/80X	2.3 A	1.3 A	2.4 A	1.3 A
PLURIJET 4/80X	3.0 A	1.7 A	2.9 A	1.7 A
PLURIJET 3/100X	3.0 A	1.7 A	2.9 A	1.7 A
PLURIJET 4/100X	4.5 A	2.6 A	4.1 A	2.3 A